

HIGH PERFORMANCE AUDIO

REVO SUBWOOFERS

REVO 8 / 10 / 12 FA SERIES
REVO 10 / 12 HP SERIES

OWNER'S MANUAL



w e t s o u n d s

wetsounds.com

REVO 8 / 10 / 12 FA SERIES

REVO 10 / 12 HP SERIES

MARINE SUBWOOFERS

OPTIONALLY AVAILABLE SPEAKER GRILLES

See wetsounds.com for more info



8, 10, or 12
XW-B



8, 10, or 12
XW-W



8, 10, or 12
SW-B



8, 10, or 12
SW-W



8, 10, or 12
XS-B-SS



8, 10, or 12
XS-W-SS



8, 10, or 12
XS-G-SS



8, 10, or 12
XS-S

CONGRATULATIONS!

Thank You for purchasing the Wet Sounds REVO SERIES Subwoofer.

Wet Sounds professional marine audio products represent the ultimate in high performance marine audio. Wet Sounds speakers are specifically engineered to withstand the rigorous marine environment.

The **Wet Sounds REVO Series Subwoofers** were designed to provide amazing output combined with a cutting edge style. Utilizing state of the art acoustic engineering and three dimensional computer aided design, the subwoofers represent the most advanced marine speakers in the world.

Please take a moment to read the instruction manual before starting your installation. If you have any questions or concerns, please contact your certified Wet Sounds dealer or Wet Sounds:

877-WET-SPKR (1-877-938-7757)

www.wetsounds.com



PROUDLY
DESIGNED
IN THE
USA

INSTALLATION

Wet Sounds REVO HP marine subwoofers have been specifically engineered to produce outstanding results in both small sealed enclosures and vented enclosures. REVO FA subwoofers are optimized for use in infinite baffle (commonly called free air) installations.

As a rule, sealed enclosures provide better transient bass response than their vented counterparts, although the vented enclosures generally provide more deep bass. However, both enclosure types will work in any situation. Free Air works great in applications where it is difficult to install an enclosure.

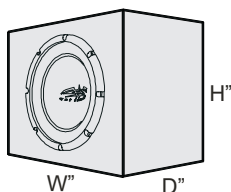
PLEASE NOTE: REVO Subwoofers do not come packaged with grilles, and must be purchased separately. Please visit wetsounds.com for more info.

FREE AIR

REVO FA are the only subwoofers optimized for free air use. Please do not install any of the other woofers in free air. Free Air installations do not need a dedicated enclosure. However, the front and the back of the woofer must still be isolated from one another. If your boat has a solid panel under the driver's foot well with a large cavity behind it, this panel is a good location for a REVO FA. However, if this panel is a half wall and will not create a solid separation from front to rear, this will not be a good location for a free air woofer. When looking for a location for a free air subwoofer, make sure to consider that the area behind the woofer becomes the "box". Free Air woofers like a larger sealed area, so the larger this cavity is, the better the results.

SEALED ENCLOSURES

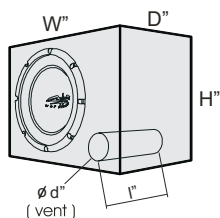
This enclosure is made up of a totally closed, air-tight box. This type of enclosure gives excellent, tight bass response, as well as providing an effective control of loudspeaker excursion, maintaining it within reasonable limits and generally providing lower distortion and very high volume levels. If you build your own enclosure, WET SOUNDS recommends that you glue and screw all joints using enough adhesive to ensure that all joints are air-tight.



For optimal sealed enclosure specifications and dimensions, it is suggested that you visit www.wetsounds.com for complete details.

VENTED ENCLOSURES

Vented enclosures are not air-tight and incorporate an additional opening known as a port or vent, which is generally fabricated from either plastic or cardboard tubing. The port augments the sound coming out of the woofer and is in most cases capable of going lower in frequency than the same woofer in a sealed box. Even though vented enclosures are not air-tight, you should follow the same procedure as with sealed boxes and glue and screw together all joints. Below you will find drawings for a vented enclosure. In the special case of SEALED enclosures, volumes greater or smaller than specified can be chosen, with different results. Smaller enclosures lead to a more enhanced response and higher power handling whereas larger ones exhibit better transient and more extended response.



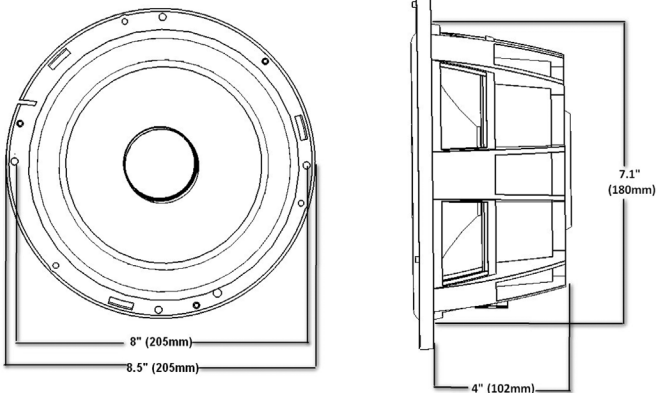
For optimal vented/ported enclosure specifications, it is suggested that you visit www.wetsounds.com for complete details.

ENCLOSURE CONSTRUCTION

For best performance the walls of the enclosure should be rigid and not vibrate as a result of the internal pressures generated by the loudspeakers. WET SOUNDS recommends constructing enclosures from a marine grade plywood like Birch with a minimum thickness of 3/4". In larger enclosures over 1 cubic foot, internal bracing that joins opposite walls can be incorporated and the final enclosure should be as rigid as possible. All joints should be glued and fastened with screws. Additionally, internal joints can be covered with a small bead of silicone adhesive to ensure that the enclosure is completely air-tight. Drivers should be fastened to the enclosure with self-threading screws with adequate length and diameter, utilizing all the mounting holes in the frame. To avoid air leakage, a foam rubber gasket or similar sealing method should be applied between the loudspeaker and the enclosure. The external surface of the enclosure may be painted or fabric-covered, to suit the consumer. Since low frequency sounds are not directional, subwoofer enclosures can generally be placed anywhere within the boat, without compromising stereo imaging. However, different placement locations of subwoofer enclosures can sometimes influence the overall quality of bass/mid-bass response, so you may wish to experiment with various mounting locations before permanently mounting the woofer.

REVO 8 FA S4*8 inch marine Free Air subwoofer*

Impedance	Single 4 Ohms
Resistance	3.4 Ohms
Sd	213.8 cm ²
X _{max}	8.5 mm
M _{ms} (g)	62
Voice Coil Size	1.5 inches
F _s	60 Hz
V _{as}	7.6 liters
Q _{ms}	4.0
Q _{es}	0.72
Q _{ts}	0.61
BI (T*m)	10.4
Le	1.1
SPL	87 dB
RMS Power / Peak	150 / 300 watts

REVO 8 FA

REVO 10 FA S2/S4

10 inch marine Free Air subwoofer

Impedance	Single 2 or 4 Ohms
Resistance	1.8/3.9 Ohms
Sd	383.6 cm ²
Xmax	10.8/11.0 mm
Mms (g)	119.3/129.3
Voice Coil Size	2.0 inches
Fs	45 Hz
Vas	22/20.5 liters
Qms	3.80/4.0
Qes	0.79/0.75
Qts	0.65/0.63
Bl (T*m)	8.8/13.8
Le	1.3/3.9 mH
SPL	88/88 dB
RMS Power / Peak	300 / 600 watts

REVO 10 HP S4

10 inch marine Subwoofer

Impedance	Single 4 Ohms
Resistance	3.8 Ohms
Sd	383.6 cm ²
Xmax	11.9 mm
Mms (g)	159.3
Voice Coil Size	2.5 inches
Fs	40 Hz
Vas	20 liters
Qms	3.80
Qes	0.54
Qts	0.48
Bl (T*m)	16.8
Le	3.6 mH
SPL	88 dB
RMS Power / Peak	400 / 800 watts

REVO 12 FA S2/S4

12 inch marine Free Air subwoofer

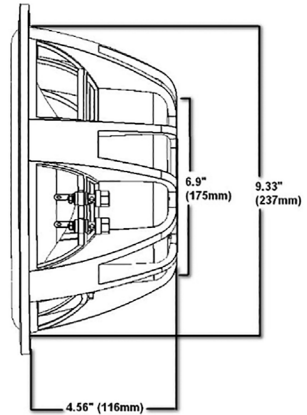
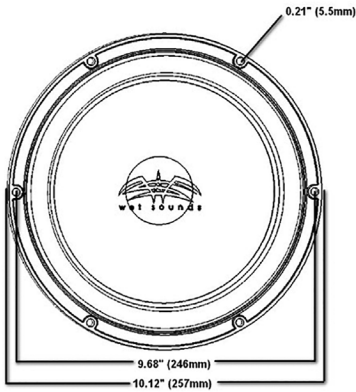
Impedance	Single 2 or 4 Ohms
Resistance	1.8/3.6 ohms
Sd	490.9 cm ²
Xmax	11.3/11.5 mm
Mms (g)	176.3/171.3
Voice Coil Size	2.5 inches
Fs	35 Hz
Vas	40/41.5 liters
Qms	3.80
Qes	0.75/1
Qts	0.62/0.80
Bl (T*m)	9.7/11.9
Le	0.8/1.4 mH
SPL	88/88 dB
RMS Power / Peak	400 / 800 watts

REVO 12 HP S4

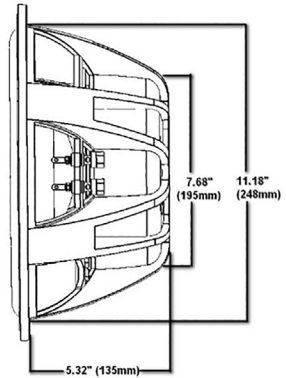
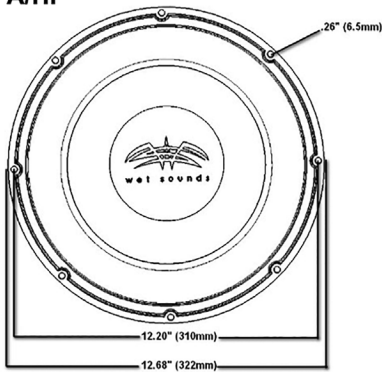
12 inch marine Subwoofer

Impedance	Single 4 Ohms
Resistance	3.8 ohms
Sd	490.9 cm ²
Xmax	11.9 mm
Mms (g)	206.3
Voice Coil Size	2.5 inches
Fs	30 Hz
Vas	46.5 liters
Qms	3.80
Qes	0.51
Qts	0.45
Bl (T*m)	17.3
Le	3.6 mH
SPL	88 dB
RMS Power / Peak	500 / 1000 watts

REVO 10 FA/HP



REVO12 FA/HP



WHAT THIS WARRANTY COVERS

This is a “limited” warranty. This warranty covers any defect in materials and workmanship. This warranty only covers the original purchaser and is not transferable. This warranty is also only valid if the original purchase was made from an authorized Wet Sounds TM dealer.

HOW LONG COVERAGE LASTS

This warranty extends for 2 years from the date of purchase. It is recommended to REGISTER your warranty online within 45 days of purchase at www.wetsounds.com – click on “warranty registration”.

WHAT IS NOT COVERED

This warranty does not cover fading or discoloration caused by exposure to sunlight or chemicals such as ammonia, household bleach, or any cleaning material that contains abrasive substances. Wet Sounds, Inc. does not cover the expense for removal or reinstallation. Additionally, shipping TO Wet Sounds, Inc. must be paid for by the purchaser. This warranty is void and inapplicable if Wet Sounds deems that the product was abused or misused; including but not limited to damage caused by accident, mishandling, improper installation, removing the inline fuse on the power connection, negligence, normal wear and tear, excessive water or heat damage, freight/shipping damage, or products that have been disassembled by anyone other than Wet Sounds technical staff. Wet Sounds will not be responsible for any incidental or consequential damages, except to the extent provided (or prohibited) by applicable law. This warranty gives you specific rights, and you may also have other rights which vary from state to state.

WHAT WET SOUNDS, INC. WILL DO

Wet Sounds, Inc. will repair any part of your product that proves to be defective in materials or workmanship. In the event repair is not possible, Wet Sounds will replace the product in question. If it is deemed necessary Wet Sounds, Inc. will either replace the entire product with a refurbished unit or it will be replaced with a model that is similar in price if that model is no longer available. Labor costs and materials needed to complete this service will be at No Charge to the purchaser. Additionally, return shipping FROM Wet Sounds, Inc. to the purchaser will be paid for by Wet Sounds.



HOW TO GET SERVICE

Contact Wet Sounds, Inc. either by phone (877-938-7757) or by email (warranty@wetsounds.com). A service representative will assist you in confirming that the problem you are experiencing is caused by a defective product and if that product is covered under warranty. The service representative will issue you a Return Manufacturer's Authorization (RMA) and other details to obtain service for your product.

**DO NOT RETURN YOUR PRODUCT WITHOUT THE PROPER RETURN
AUTHORIZATION (RMA)!**

INTERNET WARNING

Wet Sounds, Inc. products sold on any non-authorized web site or internet auction site are void of any and all manufacturer's warranty. Please contact Wet Sounds (877-938-7757) or visit our website (www.wetsounds.com) for a list of authorized online sellers or to find an authorized installing retailer near you.

WET SOUNDS INC.

www.wetsounds.com • 877-938-7757

**10621 S Sam Houston PKWY W • Suite 100
Houston, Texas 77071 • USA**

